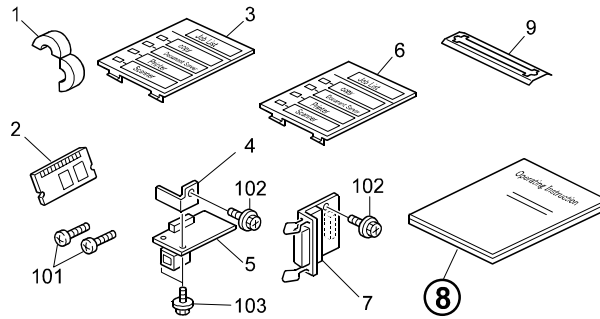


Model: Martini-C1 Printer/Scanner Kit Type 1075		Date: 17-Dec-02	No.: MG338001
Modified Article: Operation Instructions		Prepared by: K. Miura	
From: Technical Services sec. Service Planning Dept.			
Reason for Modification:	<input checked="" type="checkbox"/> Parts catalog correction <input type="checkbox"/> To facilitate assembly <input type="checkbox"/> Part standardization	<input type="checkbox"/> Vendor change <input type="checkbox"/> To improve reliability <input type="checkbox"/> Other	<input type="checkbox"/> To meet standards ()

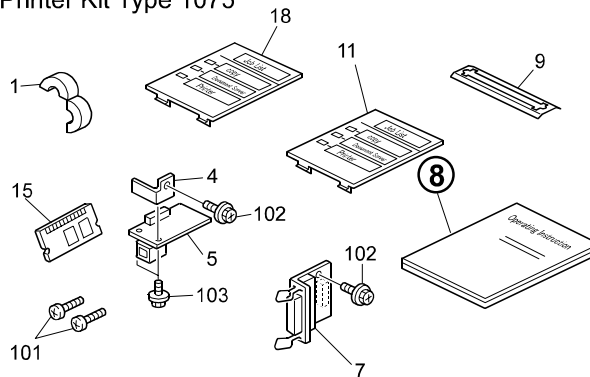
Please correct your Parts Catalog as follows:

Old part number	New part number	Description	Q'ty	Int	Page	Index	Note
G3388612	G3398609	Operating Instructions - PRN - TWN	1	-	3	8	
G3388613	G3398606	Operating Instructions - PRN - CHN	1	-	3	8	

Printer/Scanner Kit Type 1075



Printer Kit Type 1075



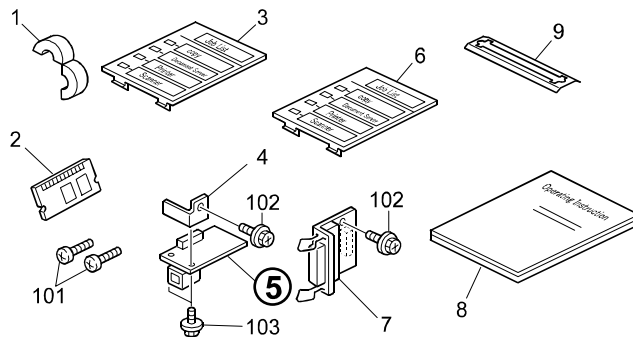
Model: Martini-C1 Printer/Scanner Kit Type 1075	Date: 25-Dec-02	No.: MG338002
---	-----------------	---------------

Modified Article: Network Interface Board		Prepared by: K. Miura	
From: Technical Services sec. Service Planning Dept.			
Reason for Modification:	<input checked="" type="checkbox"/> Parts catalog correction	<input type="checkbox"/> Vendor change	<input type="checkbox"/> To meet standards ()
	<input type="checkbox"/> To facilitate assembly	<input type="checkbox"/> To improve reliability	
	<input type="checkbox"/> Part standardization	<input type="checkbox"/> Other	

Please correct your Parts Catalog as follows:

Old part number	New part number	Description	Q'ty	Int	Page	Index	Note
B0535254	B0535166	Network Interface Board	1	-	3	5	

Printer/Scanner Kit Type 1075

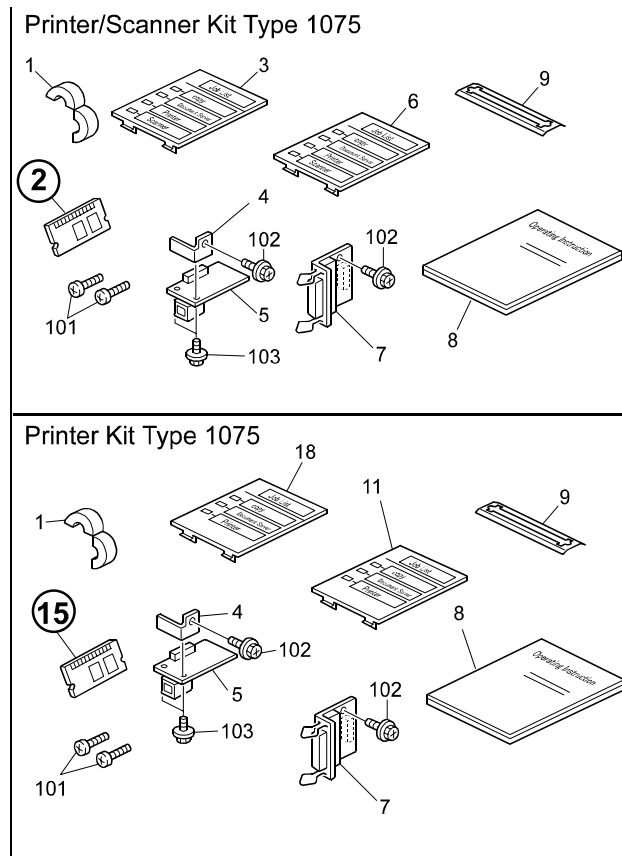


Model: Martini-C1 Printer/Scanner Kit Type 1075		Date: 27-Dec-02	No.: MG338003
Modified Article: Printer/Scanner DIMM		Prepared by: K. Miura	
From: Technical Services Sec. Service Planning Dept.			
Reason for Modification:	<input type="checkbox"/> Parts catalog correction	<input type="checkbox"/> Vendor change	<input type="checkbox"/> To meet standards ()
	<input type="checkbox"/> To facilitate assembly	<input type="checkbox"/> To improve reliability	
	<input type="checkbox"/> Part standardization	<input checked="" type="checkbox"/> Other	

When printing with the PS driver, the Euro currency symbol is not printed out with 112 of the 136 fonts that are stored in the font ROM. To prevent this, the following parts have been changed:

Old part number	New part number	Description	Q'ty	Int	Page	Index	Note
G3385117	G3385118	Printer/Scanner DIMM	1	X/O	3	2	
G3395117	G3395118	Printer DIMM	1	X/O	3	15	

For the details, please refer to RTB#Rgen011.



Model: Martini-C1 Printer/Scanner Kity Type 1075		Date: 21-May-03	No.: MG338004
Modified Article: Wireless Card		Prepared by: K. Miura	
From: 1st Tech. Support Sec. Service Support Dept.			
Reason for Modification:	<input type="checkbox"/> Parts catalog correction <input type="checkbox"/> To facilitate assembly <input type="checkbox"/> Part standardization	<input checked="" type="checkbox"/> Vendor change <input type="checkbox"/> To improve reliability <input type="checkbox"/> Other	<input type="checkbox"/> To meet standards ()

The following part has been changed due to a vendor change.

Old part number	New part number	Description	Q'ty	Int	Page	Index	Note
G6285453	G6285461	Wireless Card - US	1	X/X	3	12	
G6285454	G6285462	Wireless Card - EU	1	X/X	3	12	

Note: When installing the new Wireless Card, it is necessary to upgrade the GW controller and NIB/NetFile firmware. For details, please refer to RTB #RB064019 and #RB064030.

